



HIGH DENSITY - SHORT DEPTH LCD KVM SWITCH SERIES



AL-UV916L

16-Port USB CATx
Single Rail LCD KVM Switch



Overview

Angustos AL-UV916L LCD KVM Switch is optimized for high density Rack in modern Data Center.

Integrating a 18.51" LED screen, keyboard and mouse pad in a 1U rackmountable sliding housing. The short-depth design utilized for narrow space for short-rack mounting in condensed area. The AL-UV916L can control up to 16 computers; with 512 additional KVM switches are cascaded on two more level, a single AL-UV916L LCD KVM Switch can control up to 16,384 computers.

In addition, the AL-UV916L included an additional hot-pluggable USB port that supports other keyboard and mouse for back-up. With all of the technology involved, the AL-UV916L LCD KVM Switch has gone beyond the expectations and requirements for a modern Data Center use, which including : short space optimization, exceptional display quality, easy to install, extreme versatility.



AL-UV916L FRONT VIEW



AL-UV916L REAR VIEW

Features

High Density Utilization

- Front USB for back up mouse-keyboard.
- Connect to servers with distance up to 40m with single Cat5e / 6 UTP cable
- LCD KVM console with an 18.51" LED-backlit wide 16:9 LCD monitor in a single rail design.
- Short-depth overall size allowing user to work with in condensed space of high density Rack
- Slide Lock – secure the console drawer to remain firmly in slide position when not in use.

Flexible compatibility

- Superior video quality – up to 1366 x 768 @60Hz; DDC2B; 16.7 M - True 8 Bit Color
- Cascade up to 16,384 computers from a single console (With compatible KVM Switches)
- Auto PS/2 and USB interface sensing.
- Keyboard and mouse emulation (PS/2 and USB) for seamless switching. Audio support through HDMI connection.
- Computer selection with pushbuttons, hotkeys, and multilingual on-screen display (OSD).
- Two level password security.
- Operates with all software and operating systems including all Windows versions, DOS, Linux, Unix, BSD, all Sun OS, all Mac OS and NetWare.
- Keyboard Language supports: English (UK), English (US), German (GER.) Japanese, Korean, Russian, Swedish, Chinese.

Installation Flexibility

- Standard rack mount kit included
- No software required - Plug and Play
- Firmware upgradable
- Supports hot-plugging
- Supports Over IP Module for Remote Control



Raise efficiency



Multiple Connection



Saving time



Cascadable



Saving Cost



18.51" Wide (16:9)



Plug and Play



Password Protected

Compatible Product



VGA KVM Dongle - CPU Module

AC-DV100L



DVI / HDMI KVM Dongle-CPU Module

AC-DD100L / AC-DH100L



SHORT DEPTH RACK KVM SWITCH

AR-V16L



IP MODULE CARD

AIP-C

Angustos

Angustos was founded in 2000 and is now regarded as one of the foremost manufacturers of digital and analogue KVM solutions.

For more than 20 years our customers have been convinced by our core competencies in extending, switching and distributing standardised computer signals.

We are committed to established international standards. We can provide customers with complete Datacenter solutions as well as OEM/ODM services. We can cover even from medium to small business, factory & industrial, military & government, home office & personal use.

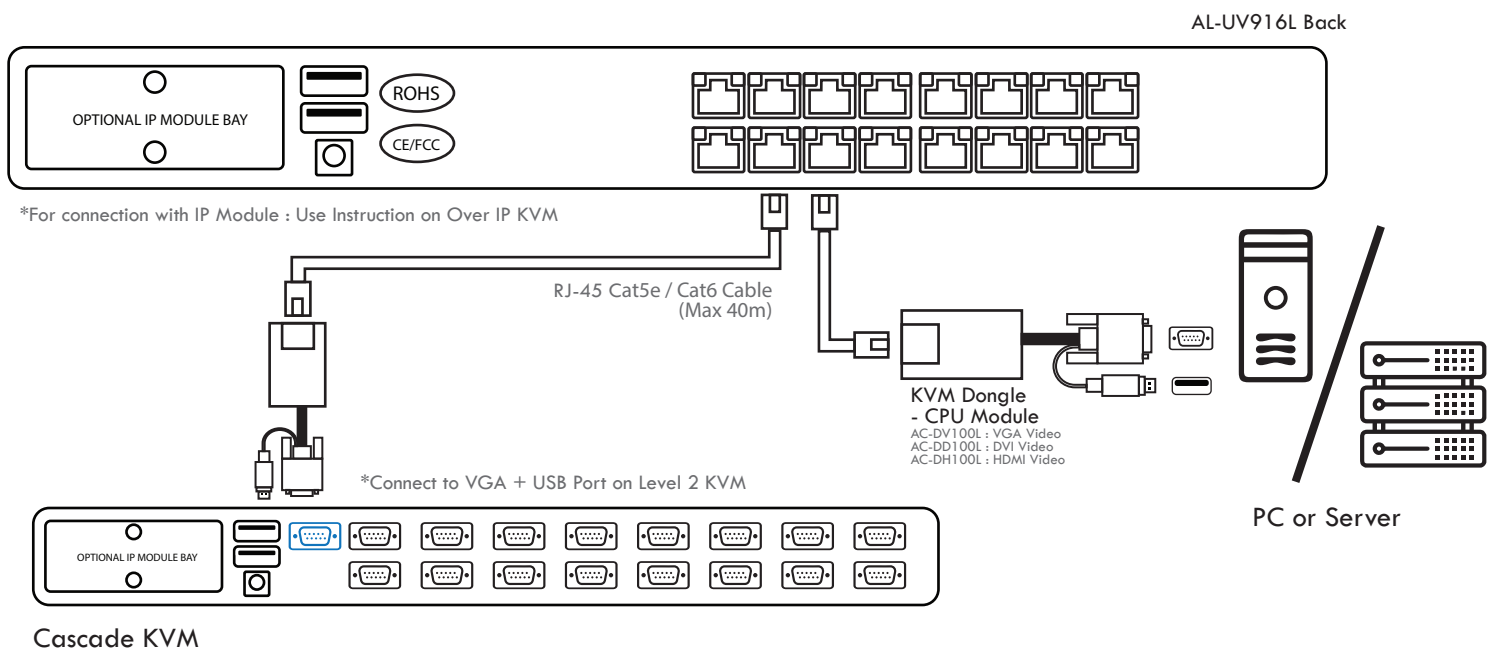
KEYBOARD & MOUSE

| | |
|------------------|----------------------------|
| Keyboard | 104 Keys, Detachable |
| | Multiple Languages Option |
| Compatible | Win/Sun/Unix/Linux/Mac |
| Mouse | Touchpad |
| Mouse Resolution | >1000 dots/inch (40x40/mm) |
| MTBF | 1,000,000 Press |

KVM SWITCH MODULE

| | |
|-----------------------|-----------------------------------|
| Direct PC connection | 16 |
| Maximum PC Connection | 16,384 |
| Port Selection | OSD, Button, Hot Key, IP (Opt) |
| Console Connector | DB-15 Pins, RJ45 (IP Module), USB |
| KVM Connector | RJ-45 Female x 16 |
| Power | DC 12V/AC 100-240V 50-60Hz |
| Switch button | Panel Digital Keys |
| Reset Switch | Panel Function Keys |
| Status LEDs | Nixie Tube (Selected Port) |
| | Red led (Online Port) |
| Server Interface | PS/2 , USB |
| Cascadable | Support cascade to max 3 levels |
| IP Module | Optional |

CONNECTION DIAGRAM



LCD MONITOR

| | |
|-----------------------|--|
| Size / Ratio | 18.51" / 16:9 |
| Video | Wide AHVA TFT - LCD |
| Visible Square | 409.8 H x 230.4 V |
| Resolution | 1366 x 768 @ 60Hz (Optimal) |
| | 1920 x 1200 @ 60Hz (Max) |
| Color | 16.7 Mil. , True 8 Bit |
| Contrast | 1000 : 1 (TyP) |
| Back light brightness | LED / 300 nit (cd/m2) (400 nit optional) |
| Pixel Pitch | 300 x 300 um |
| MTBF | 100,000 hours |

CPU MODULE (AC-Dx100L Series)

| | |
|------------------|------------------|
| Video connection | VGA / DVI / HDMI |
| Link connection | 1 x RJ-45 Female |

OPERATIONAL SPECIFICATION

| | |
|----------------|--------------------------|
| Operating Temp | -10°C - 60°C |
| Storage Temp | -20°C - 70°C |
| Humidity | 0-80%RH, No Condensation |

PHYSICAL SPECIFICATION

| | |
|------------------|------------------------------|
| Housing | Metal |
| Dimension | 407x445x45 / 148.4x445x45 mm |
| Weight LCD / KVM | 6.07 kg / 2.70 kg |